

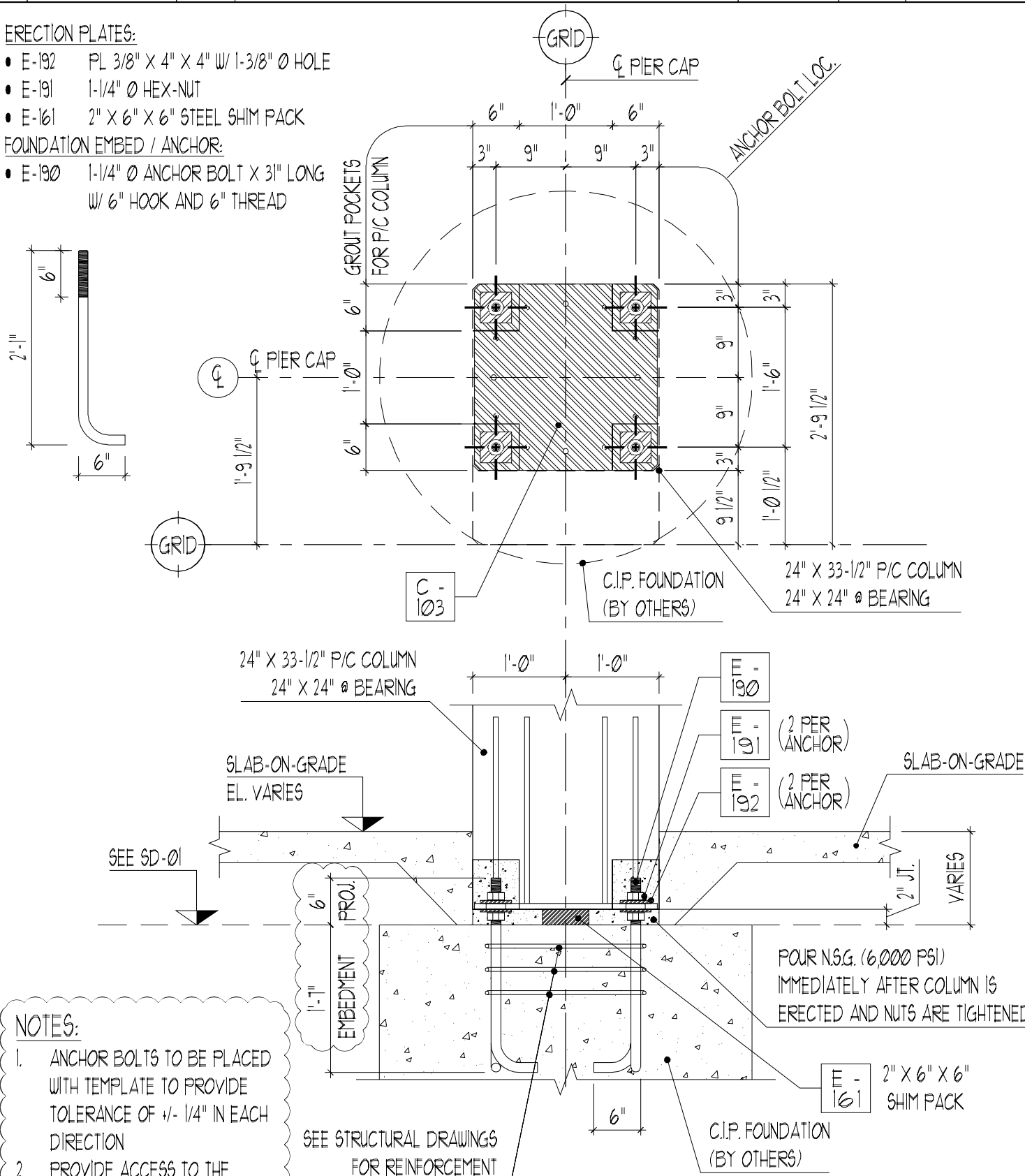
NO.	REVISIONS	DATE	NAPCO PRECAST, LLC.	DWG.	CHK'D:	ENG:
				DATE:	DATE:	DATE:
			PROJECT:	REL:	STD.	JOB No.
			SUBJECT: P/C COLUMN / FOUNDATION CONN.	DATE:		

ERECTION PLATES:

- E-192 PL 3/8" X 4" X 4" W/ 1-3/8" Ø HOLE
- E-191 1-1/4" Ø HEX-NUT
- E-161 2" X 6" X 6" STEEL SHIM PACK

FOUNDATION EMBED / ANCHOR:

- E-190 1-1/4" Ø ANCHOR BOLT X 31" LONG W/ 6" HOOK AND 6" THREAD



NOTES:

1. ANCHOR BOLTS TO BE PLACED WITH TEMPLATE TO PROVIDE TOLERANCE OF +/- 1/4" IN EACH DIRECTION
2. PROVIDE ACCESS TO THE COLUMN FOR ERECTION AND GROUTING PROCESSES.

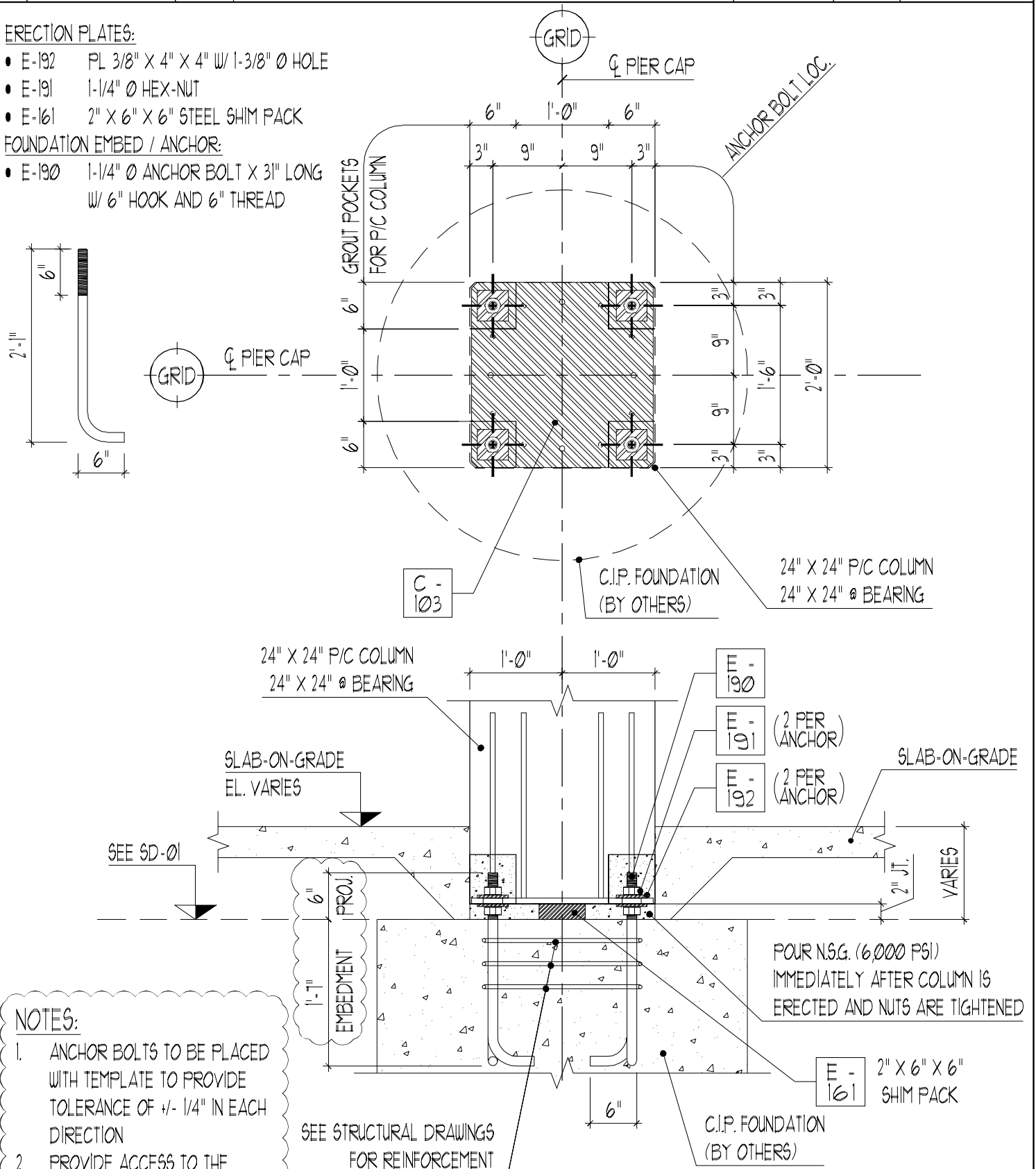
NO.	REVISIONS	DATE	NAPCO PRECAST, LLC.	DWG.	CHK'D:	ENG:
				DATE:	DATE:	DATE:
			PROJECT:	REL:	STD.	JOB No.
			SUBJECT: P/C COLUMN / FOUNDATION CONN.	DATE:		

ERECTION PLATES:

- E-192 PL 3/8" X 4" X 4" W/ 1-3/8" Ø HOLE
- E-191 1-1/4" Ø HEX-NUT
- E-161 2" X 6" X 6" STEEL SHIM PACK

FOUNDATION EMBED / ANCHOR:

- E-190 1-1/4" Ø ANCHOR BOLT X 31" LONG W/ 6" HOOK AND 6" THREAD



NOTES:

1. ANCHOR BOLTS TO BE PLACED WITH TEMPLATE TO PROVIDE TOLERANCE OF +/- 1/4" IN EACH DIRECTION
2. PROVIDE ACCESS TO THE COLUMN FOR ERECTION AND GROUTING PROCESSES.

NO.	REVISIONS	DATE	NAPCO PRECAST, LLC.	DWG.	CHK'D:	ENG:
				DATE:	DATE:	DATE:
			PROJECT:	REL:	STD.	JOB No.
			SUBJECT: C.I.P. RETAINING WALL TO P/C DT	DATE:		

FOUNDATION PLATE:

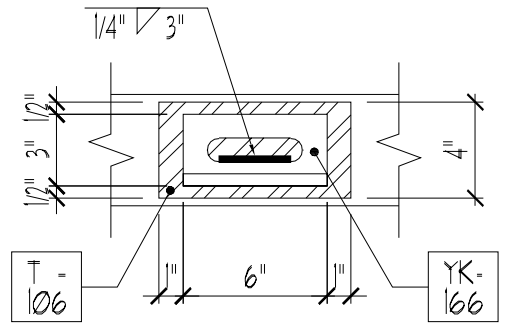
- E-165 PL 3/8" X 4" X 8"
W/ (2) #5 REBAR X 2'-0"
W/ (3) 3/8" Ø X 4" H.A.S.

ERECTION PLATES:

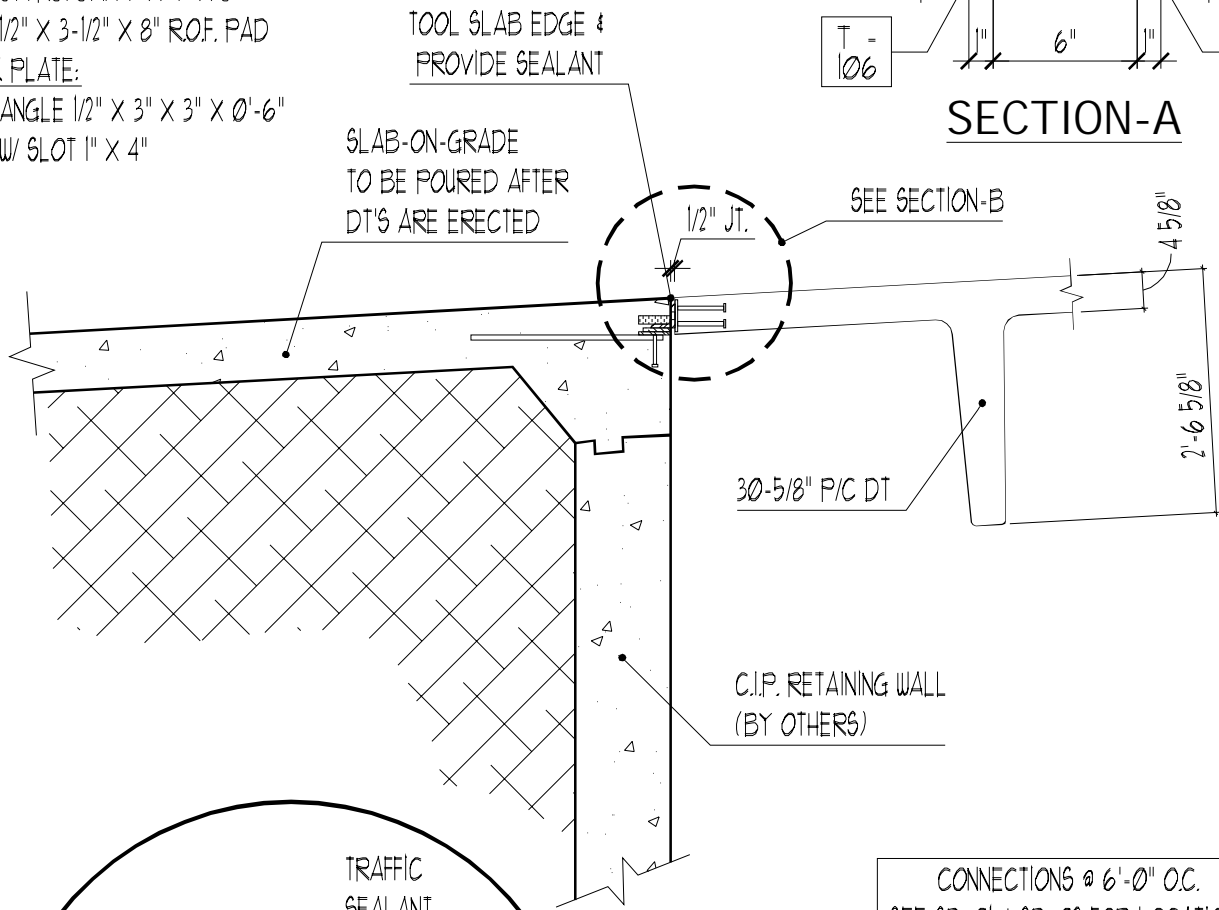
- E-163 STYROFOAM 1" X 4" X 8"
- E-164 1/2" X 3-1/2" X 8" ROF. PAD

YARD WORK PLATE:

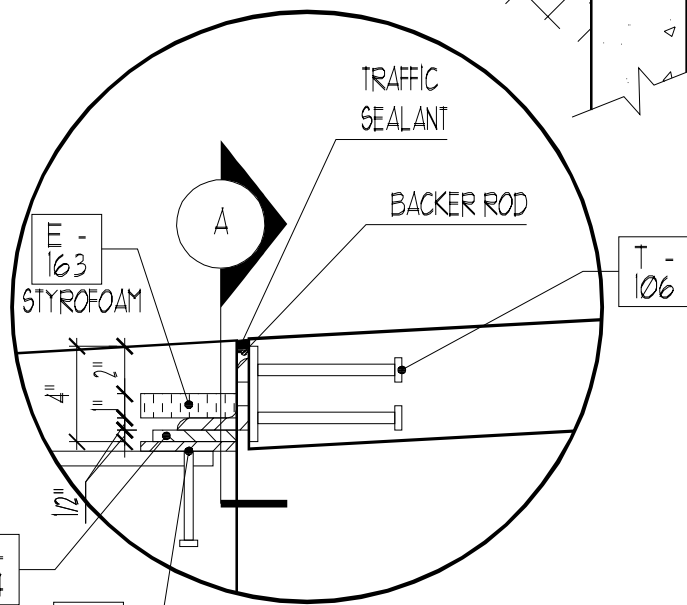
- YK-166 ANGLE 1/2" X 3" X 3" X Ø'-6"
W/ SLOT 1" X 4"



SECTION-A



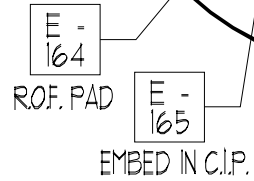
CONNECTIONS @ 6'-0" O.C.
SEE SD-01 & SD-02 FOR LOCATIONS



SECTION-B

NOTES:

1. SEE STRUCTURAL DRAWINGS FOR C.I.P. REINFORCEMENT DETAILS
2. INSTALL E-165, E-164, AND E-163 BEFORE POURING C.I.P. SLAB HOLD-BACK



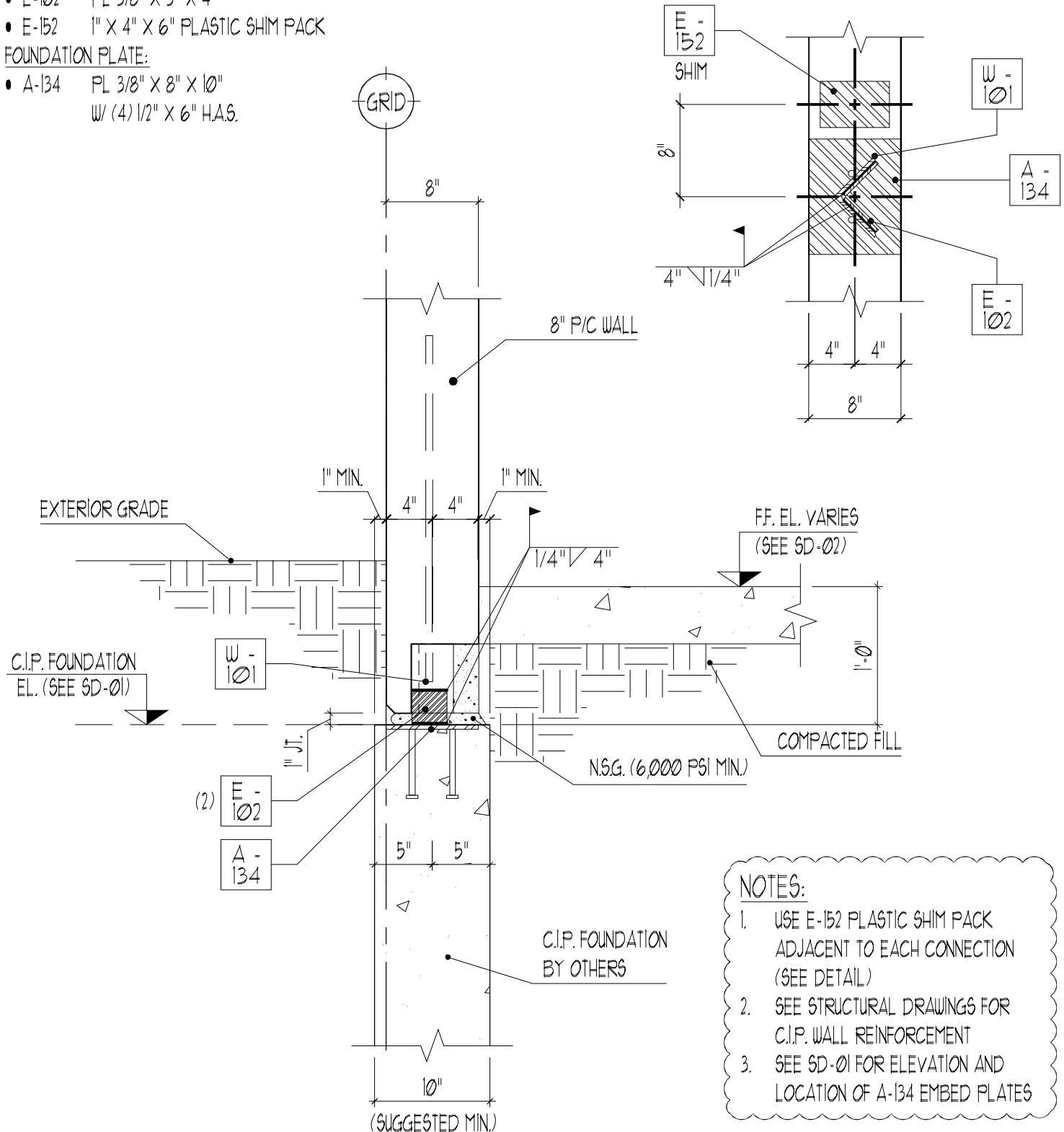
NO.	REVISIONS	DATE	NAPCO PRECAST, LLC.	DWG.	CHK'D:	ENG:
				DATE:	DATE:	DATE:
			PROJECT:	REL:	STD.	JOB No.
			SUBJECT: P/C WALL / FOUNDATION CONN.	DATE:		

ERECTION PLATES:

- E-102 PL 3/8" X 3" X 4"
- E-152 1" X 4" X 6" PLASTIC SHIM PACK

FOUNDATION PLATE:

- A-134 PL 3/8" X 8" X 10"
W/ (4) 1/2" X 6" H.A.S.



- NOTES:**
1. USE E-152 PLASTIC SHIM PACK ADJACENT TO EACH CONNECTION (SEE DETAIL)
 2. SEE STRUCTURAL DRAWINGS FOR C.I.P. WALL REINFORCEMENT
 3. SEE SD-01 FOR ELEVATION AND LOCATION OF A-134 EMBED PLATES

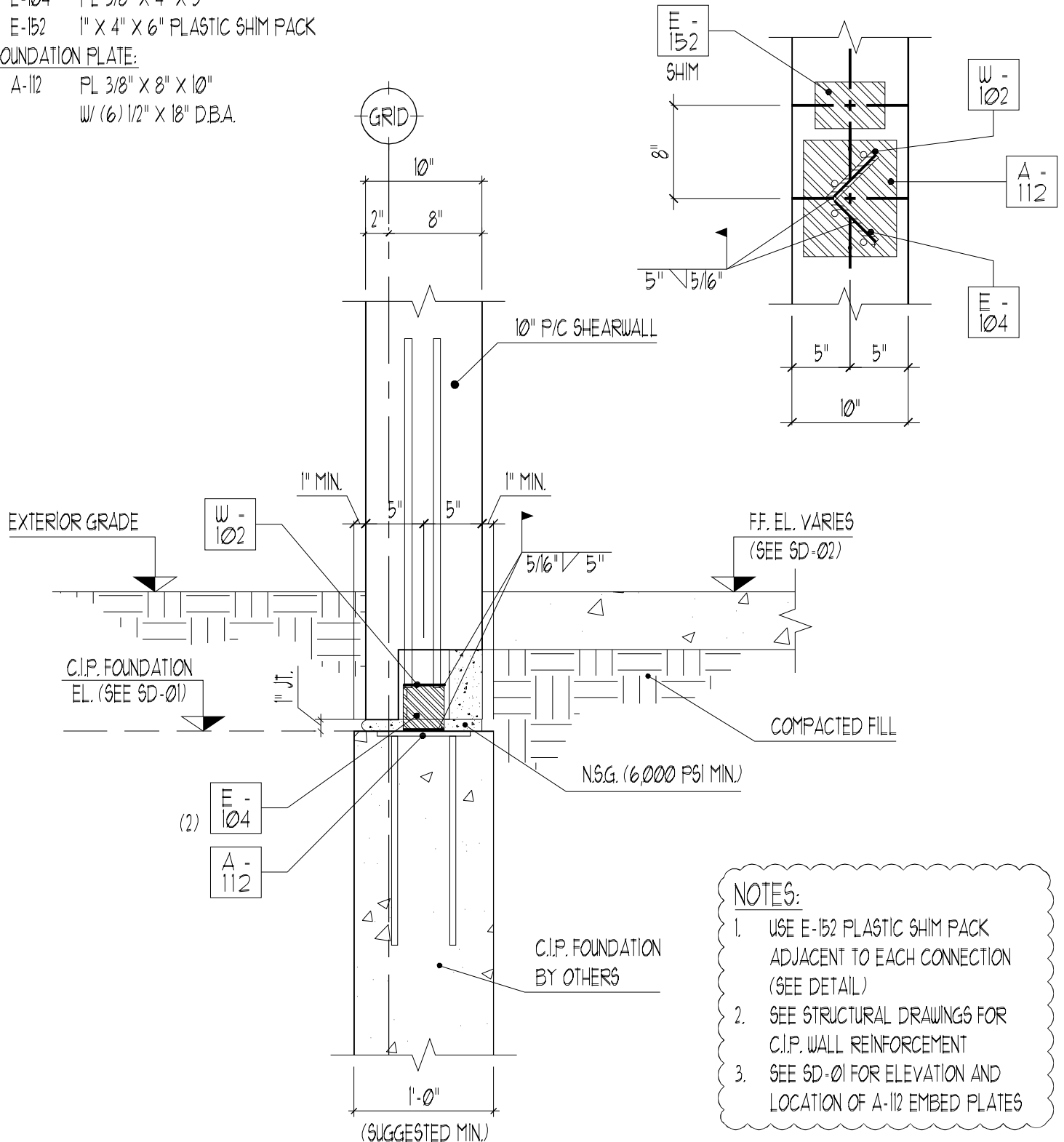
NO.	REVISIONS	DATE	NAPCO PRECAST, LLC.	DWG.	CHK'D:	ENG:
				DATE:	DATE:	DATE:
			PROJECT:	REL:	STD.	JOB No.
			SUBJECT: P/C SHEARWALL / FOUNDATION CONN.	DATE:		

ERECTION PLATES:

- E-104 PL 3/8" X 4" X 5"
- E-152 1" X 4" X 6" PLASTIC SHIM PACK

FOUNDATION PLATE:

- A-112 PL 3/8" X 8" X 10"
W/ (6) 1/2" X 18" D.B.A.



- NOTES:**
1. USE E-152 PLASTIC SHIM PACK ADJACENT TO EACH CONNECTION (SEE DETAIL)
 2. SEE STRUCTURAL DRAWINGS FOR C.I.P. WALL REINFORCEMENT
 3. SEE SD-01 FOR ELEVATION AND LOCATION OF A-112 EMBED PLATES

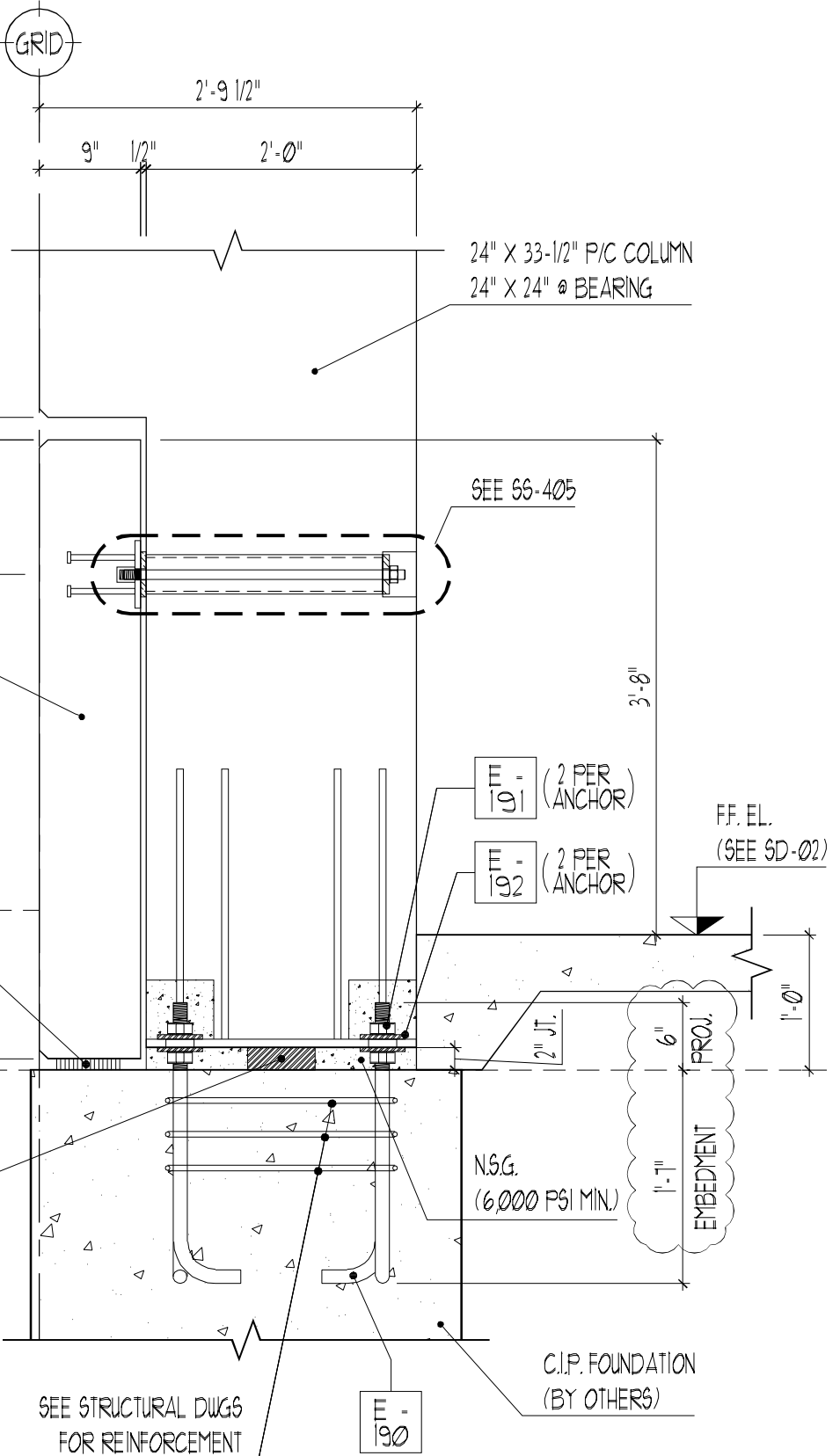
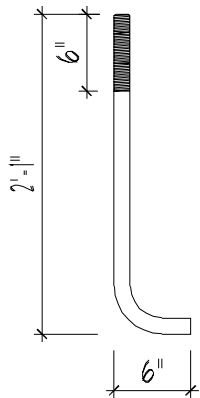
NO.	REVISIONS	DATE	NAPCO PRECAST, LLC.	DWG.	CHK'D:	ENG:
				DATE:	DATE:	DATE:
			PROJECT:	REL:	STD.	JOB No.
			SUBJECT: 24" COLUMN BASE W/ P/C PARAPET	DATE:		

ERECTION PLATES:

- E-152 4" X 6" X 1" PLASTIC SHIM
- E-161 6" X 6" X 2" STEEL SHIM PACK
- E-191 1-1/4" Ø HEX-NUT
- E-192 PL 3/8" X 4" X 4" W/ 1-3/8" Ø HOLE

FOUNDATION EMBED:

- E-190 1-1/4" Ø ANCHOR BOLT X 31" LONG W/ 6" HOOK AND 6" THREAD



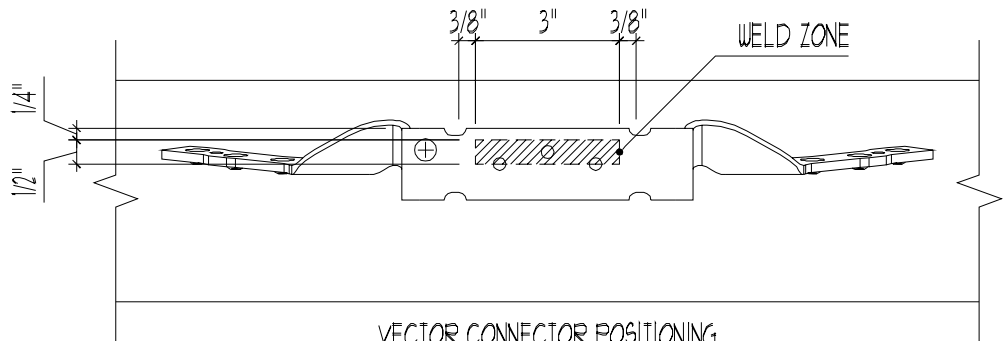
NOTES:

1. ANCHOR BOLTS TO BE PLACED WITH TEMPLATE TO PROVIDE TOLERANCE OF +/- 1/4" IN EACH DIRECTION
2. PROVIDE ACCESS TO THE COLUMN FOR ERECTION AND GROUTING PROCESSES.

NO.	REVISIONS	DATE	NAPCO PRECAST, LLC.	DWG.	CHK'D:	ENG:
				DATE:	DATE:	DATE:
			PROJECT:	REL:	STD.	JOB No.
			SUBJECT: DT FLANGE / DT FLANGE CONN.	DATE:		

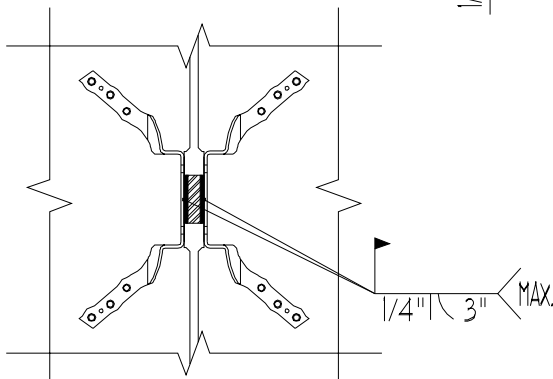
ERECTION PLATES:

- E-18205 5/8" Ø A-36 STEEL ROD X 3"
- E-18206 3/4" Ø A-36 STEEL ROD X 3"
- E-18207 1/8" Ø A-36 STEEL ROD X 3"
- E-18208 1" Ø A-36 STEEL ROD X 3"

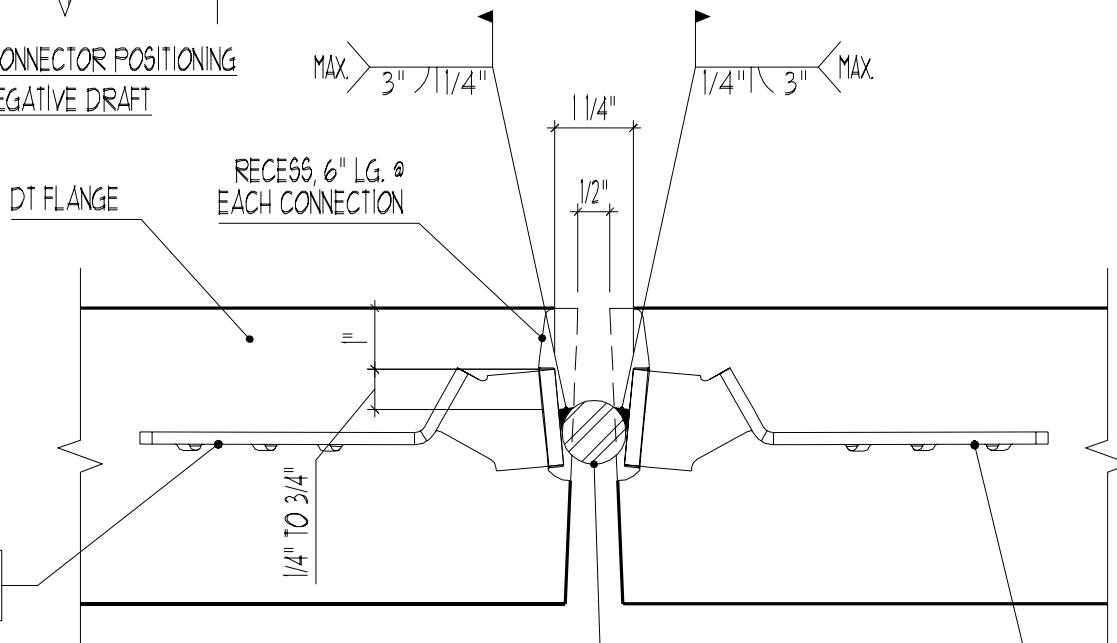


VECTOR CONNECTOR POSITIONING
NEGATIVE DRAFT

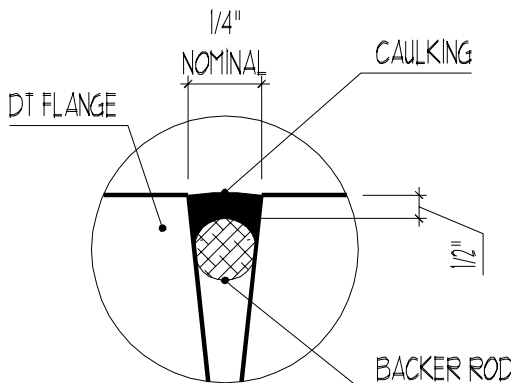
JOINT TOLERANCE
+1/2" , -1/4"



VECTOR CONNECTOR POSITIONING
NEGATIVE DRAFT



1" Ø X 3" LG MAX ROD.
USE FLAT PLATE WHEN JOINT IS BIGGER THAN
1" AND ROD GOES DOWN FROM WELD ZONE.



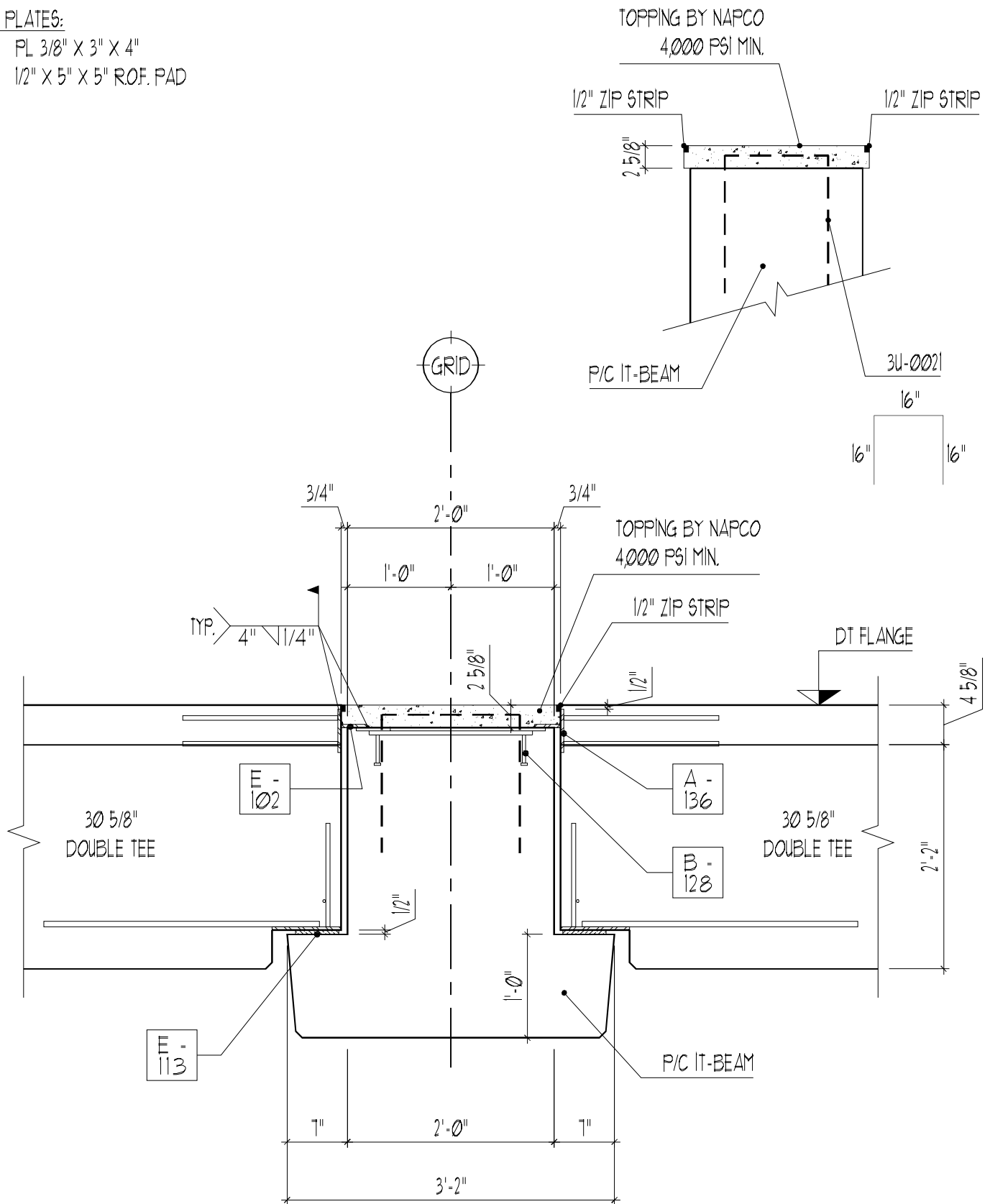
ERECTOR NOTE:

1. USE 3" LG A-36 STEEL ROD FOR 1" GAP OR LESS (Ø VARIES).
2. USE 3/8" FLAT PLATE X 3" LG. FOR GAPS LARGER THAN 1 1/8" (WIDTH VARIES) SEE SS-201.

NO.	REVISIONS	DATE	NAPCO PRECAST, LLC.	DWG.	CHK'D:	ENG:
				DATE:	DATE:	DATE:
			PROJECT:	REL:	STD.	JOB No.
			SUBJECT: DT / 24" WIDE IT-BEAM CONN.	DATE:		

ERECTION PLATES:

- E-102 PL 3/8" X 3" X 4"
- E-113 1/2" X 5" X 5" ROF. PAD



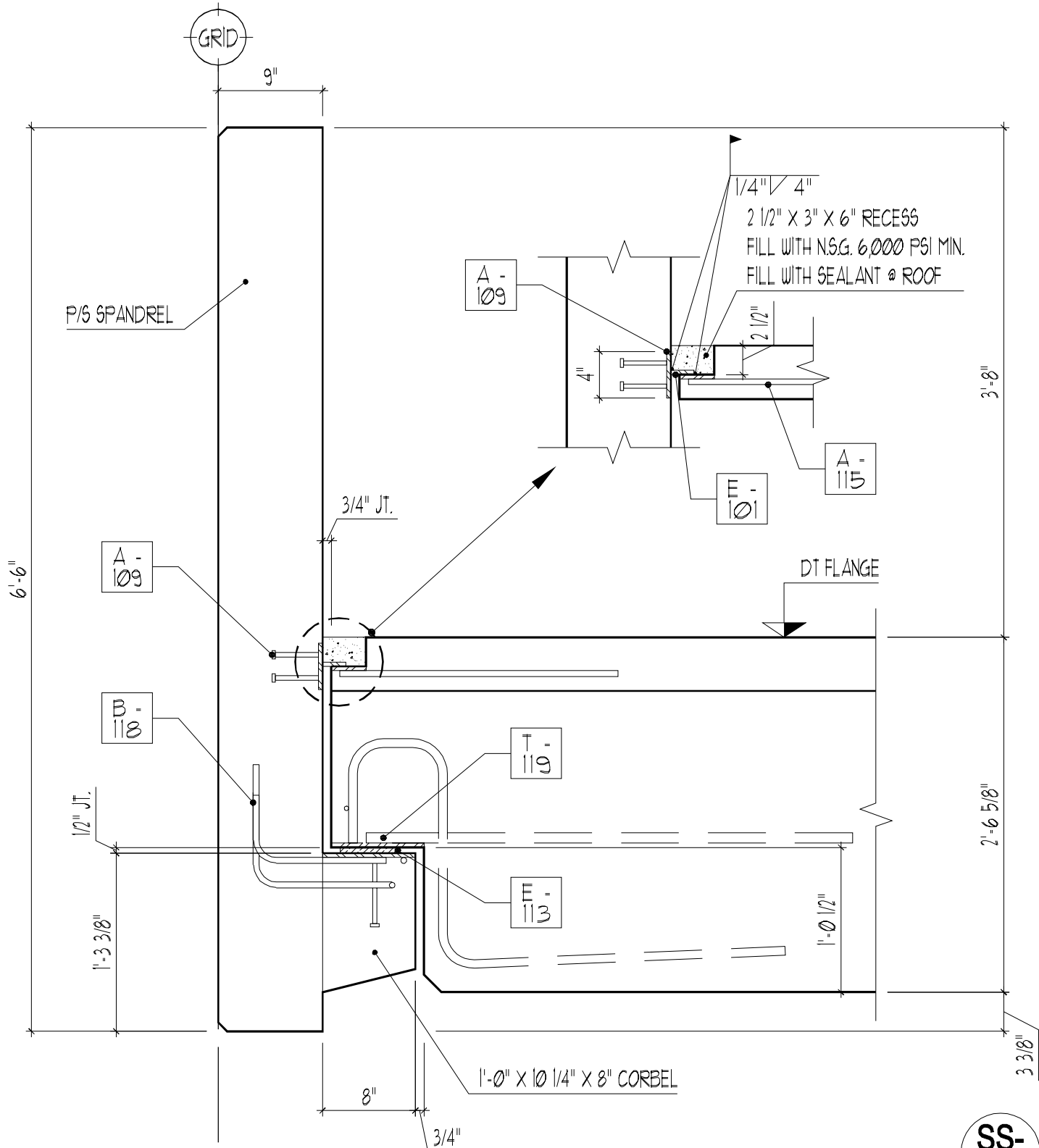
SECTION / DETAIL

SS-210

NO.	REVISIONS	DATE	NAPCO PRECAST, LLC.	DWG.	CHK'D:	ENG:
				DATE:	DATE:	DATE:
			PROJECT:	REL:	STD.	JOB No.
			SUBJECT: DT / SPANDREL CONN. (SPOT CORBEL)	DATE:		

ERECTION PLATES:

- E-101 PL 3/8" X 2" X 4"
- E-113 1/2" X 5" X 5" ROF. PAD



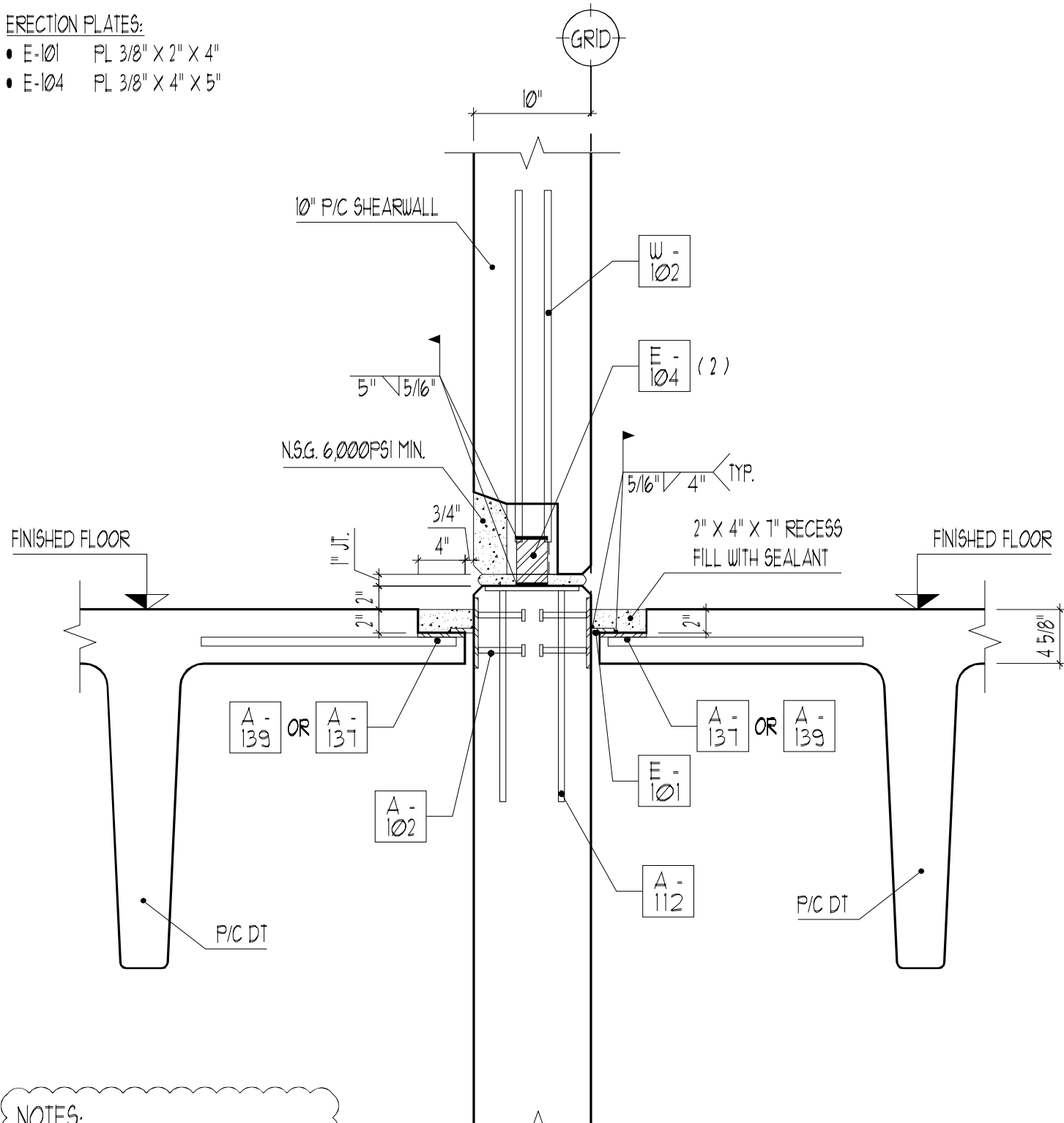
SECTION / DETAIL

SS-221

NO.	REVISIONS	DATE	NAPCO PRECAST, LLC.	DWG.	CHK'D:	ENG:
				DATE:	DATE:	DATE:
			PROJECT:	REL:	STD.	JOB No.
			SUBJECT: DT / INTERIOR SHEARWALL CONN.	DATE:		

ERECTION PLATES:

- E-101 PL 3/8" X 2" X 4"
- E-104 PL 3/8" X 4" X 5"



NOTES:

1. USED GALVANIZED A-102 AT ROOF LEVEL OF ALL BUILDINGS.
2. USE GALVANIZED A-102 AT ALL LEVELS IN OPEN BUILDINGS.

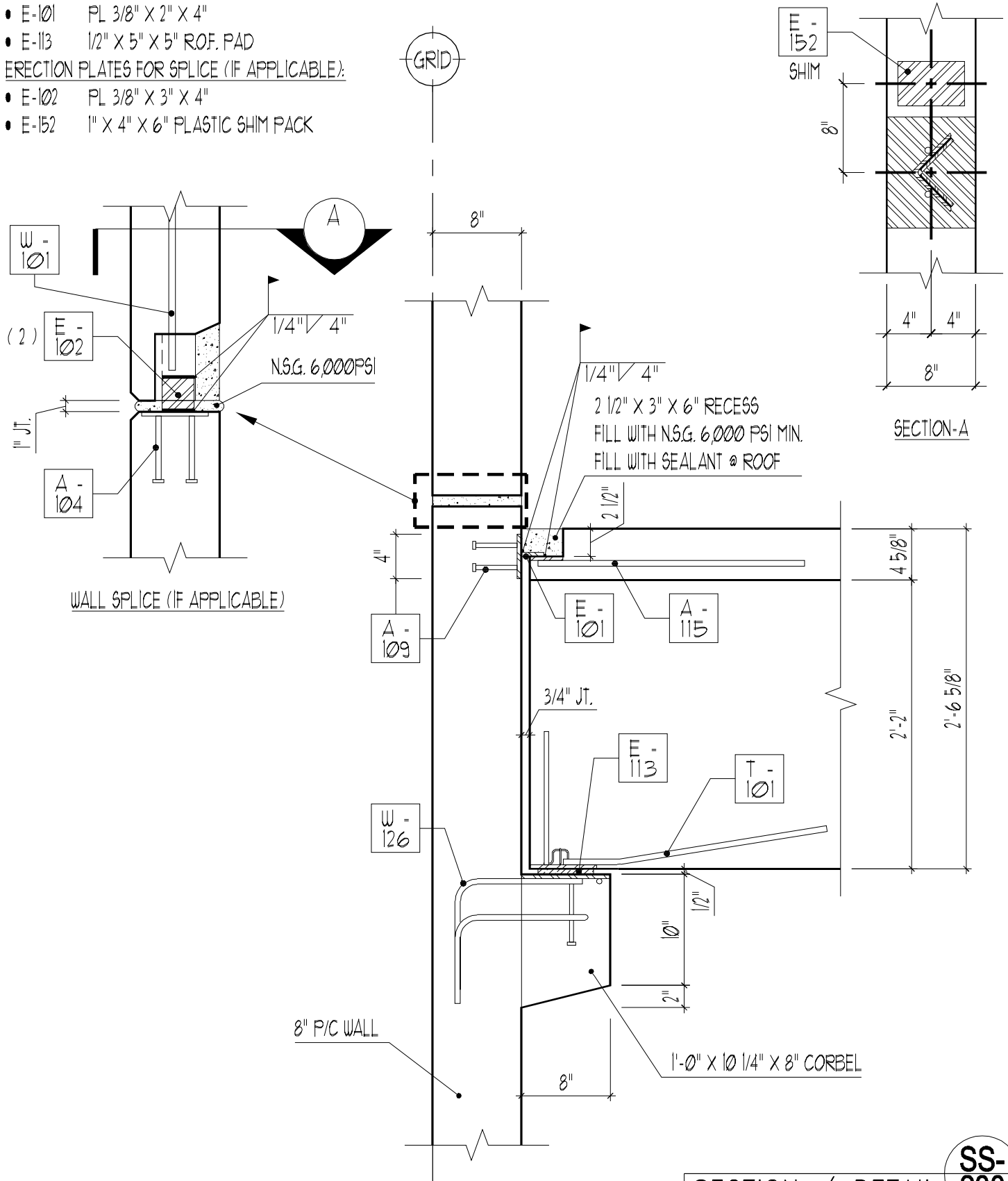
NO.	REVISIONS	DATE	NAPCO PRECAST, LLC.	DWG.	CHK'D:	ENG:
				DATE:	DATE:	DATE:
			PROJECT:	REL:	STD.	JOB No.
			SUBJECT: DT / WALL CONN. (SPOT CORBEL)	DATE:		

ERECTION PLATES:

- E-101 PL 3/8" X 2" X 4"
- E-113 1/2" X 5" X 5" ROF. PAD

ERECTION PLATES FOR SPLICE (IF APPLICABLE):

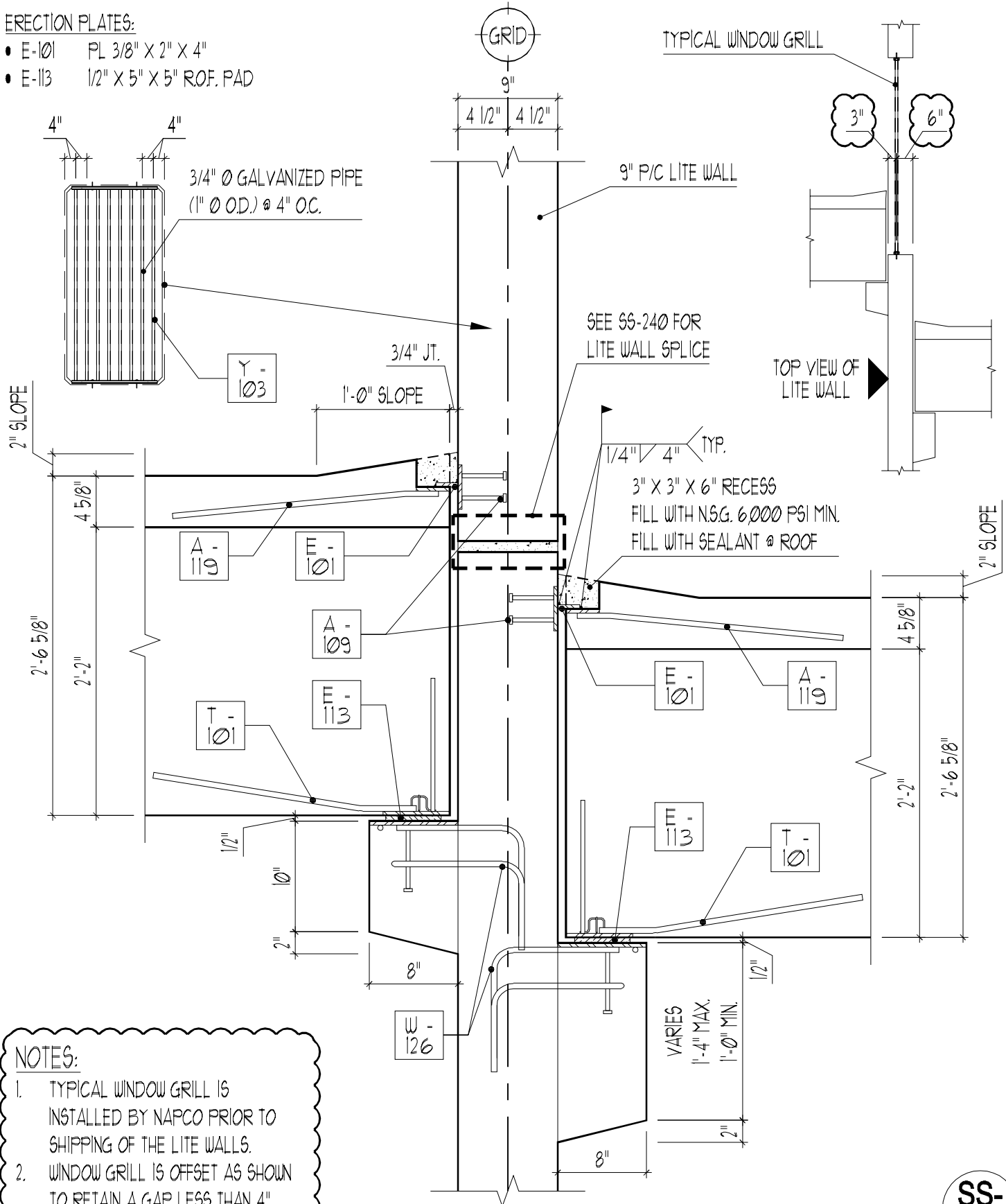
- E-102 PL 3/8" X 3" X 4"
- E-152 1" X 4" X 6" PLASTIC SHIM PACK



NO.	REVISIONS	DATE	NAPCO PRECAST, LLC.	DWG.	CHK'D:	ENG:
				DATE:	DATE:	DATE:
			PROJECT:	REL:	STD.	JOB No.
			SUBJECT: DT / LITE WALL CONN.	DATE:		

ERECTION PLATES:

- E-101 PL 3/8" X 2" X 4"
- E-113 1/2" X 5" X 5" ROF. PAD



NOTES:

1. TYPICAL WINDOW GRILL IS INSTALLED BY NAPCO PRIOR TO SHIPPING OF THE LITE WALLS.
2. WINDOW GRILL IS OFFSET AS SHOWN TO RETAIN A GAP LESS THAN 4".

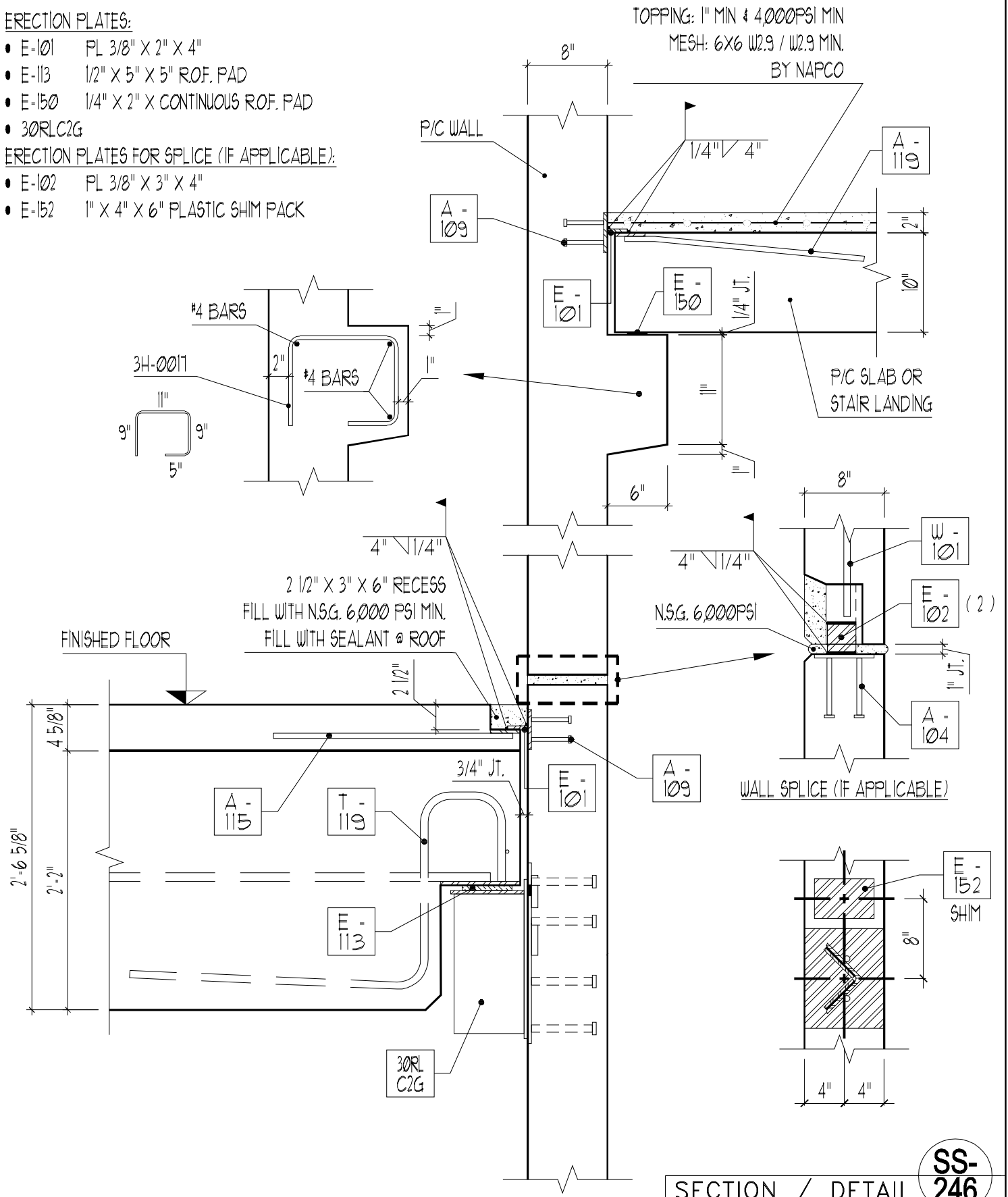
NO.	REVISIONS	DATE	NAPCO PRECAST, LLC.	DWG.	CHK'D:	ENG:
				DATE:	DATE:	DATE:
			PROJECT:	REL:	STD.	JOB No.
			SUBJECT: DT / WALL / SLAB	DATE:		

ERECTION PLATES:

- E-101 PL 3/8" X 2" X 4"
- E-113 1/2" X 5" X 5" ROF. PAD
- E-150 1/4" X 2" X CONTINUOUS ROF. PAD
- 30RLC2G

ERECTION PLATES FOR SPLICE (IF APPLICABLE):

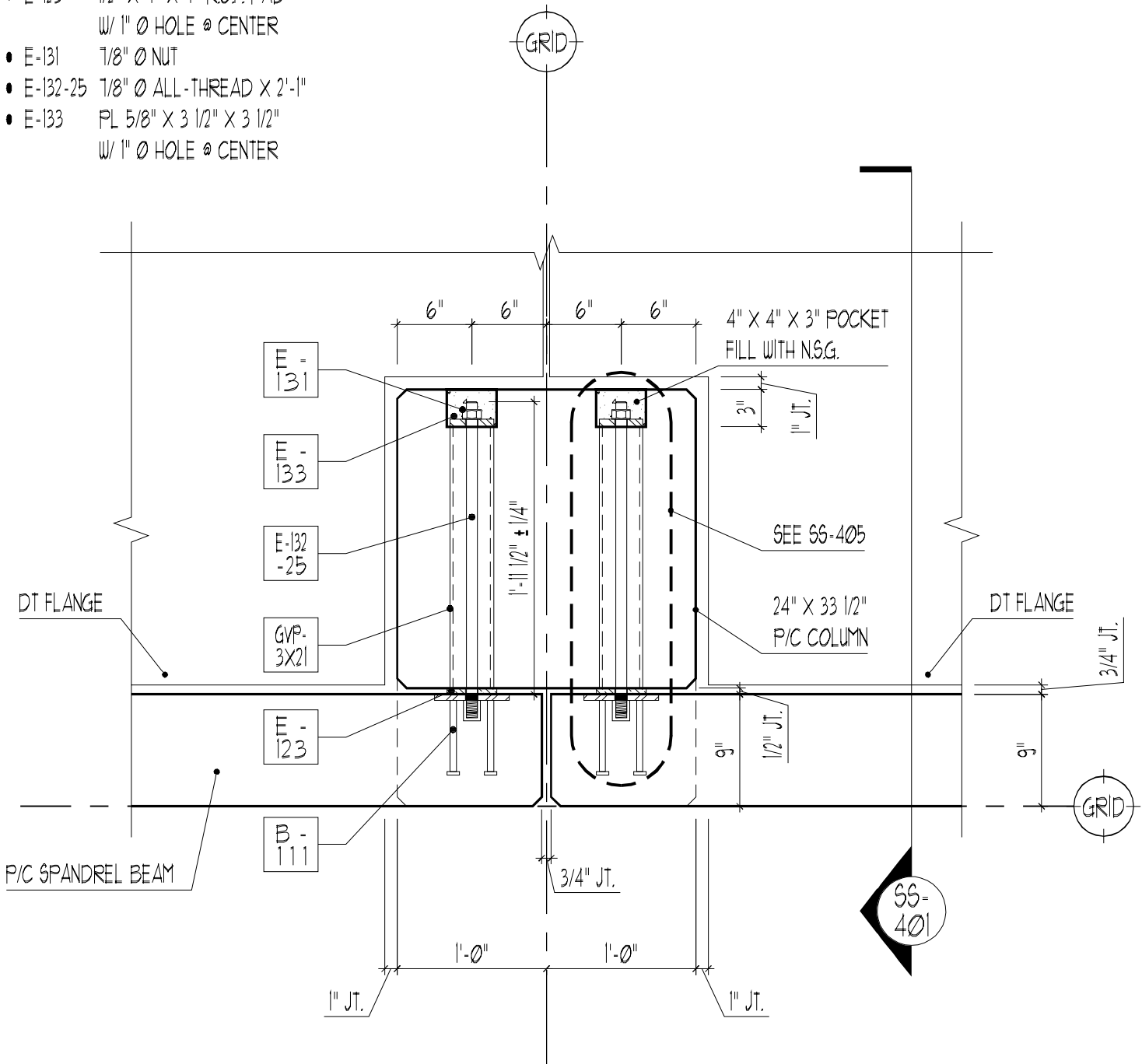
- E-102 PL 3/8" X 3" X 4"
- E-152 1" X 4" X 6" PLASTIC SHIM PACK



NO.	REVISIONS	DATE	NAPCO PRECAST, LLC.	DWG.	CHK'D:	ENG:
				DATE:	DATE:	DATE:
			PROJECT:	REL:	STD.	JOB No.
			SUBJECT: COLUMN / SPANDREL BEAM CONN.	DATE:		

ERECTION PLATES:

- E-123 1/2" X 4" X 4" ROF. PAD
W/ 1" Ø HOLE @ CENTER
- E-131 7/8" Ø NUT
- E-132-25 7/8" Ø ALL-THREAD X 2'-1"
- E-133 PL 5/8" X 3 1/2" X 3 1/2"
W/ 1" Ø HOLE @ CENTER



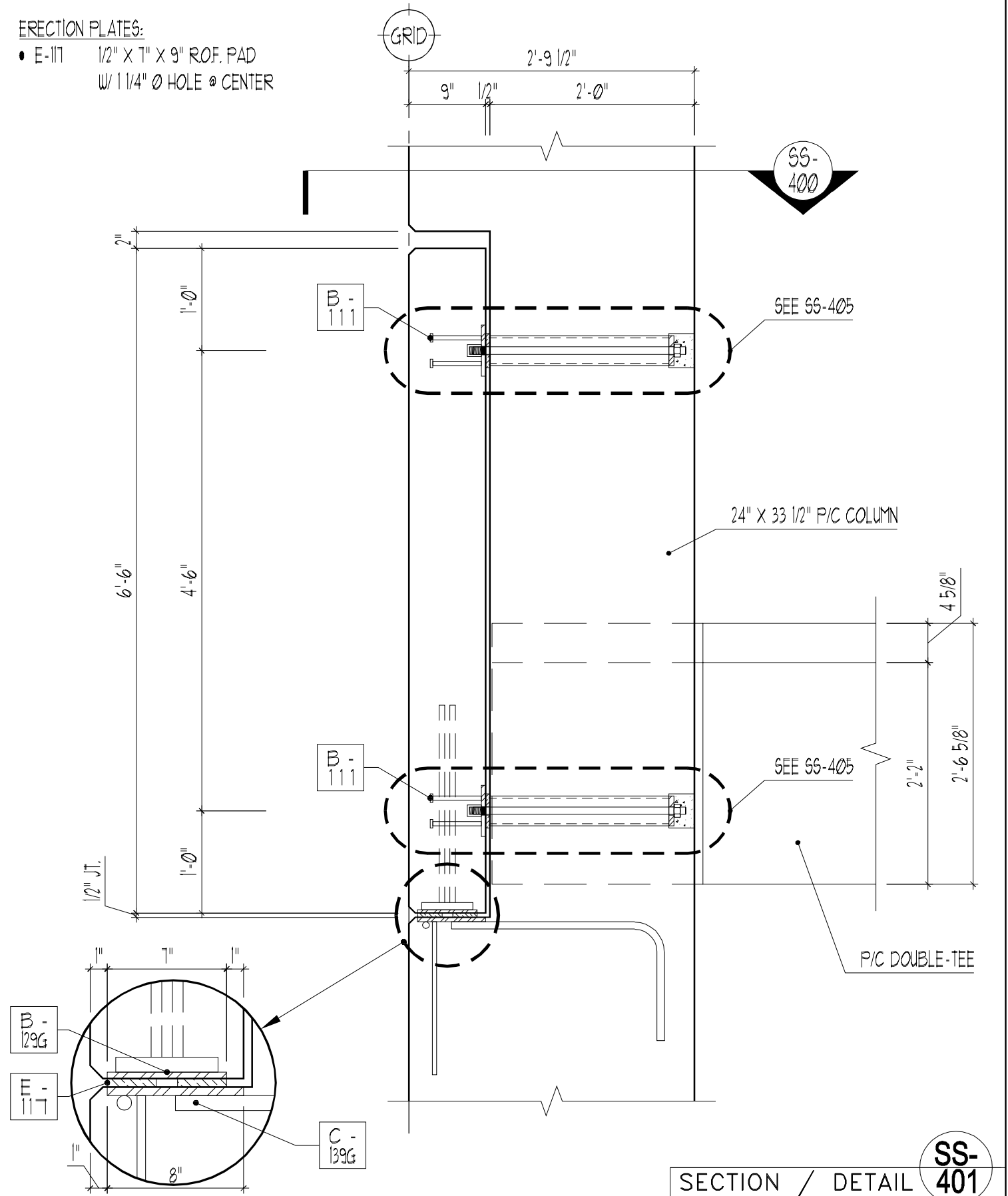
NOTES:

1. THREAD ROD INTO SPANDREL INSERT PRIOR TO ERECTING.
2. ROD PROJECTION = 1'-11 1/2" ± 1/4"

NO.	REVISIONS	DATE	NAPCO PRECAST, LLC.	DWG.	CHK'D:	ENG:
				DATE:	DATE:	DATE:
			PROJECT:	REL:	STD.	JOB No.
			SUBJECT: COLUMN / SPANDREL BEAM CONN.	DATE:		

ERECTION PLATES:

- E-117 1/2" X 7" X 9" ROF. PAD
W/ 1 1/4" Ø HOLE @ CENTER



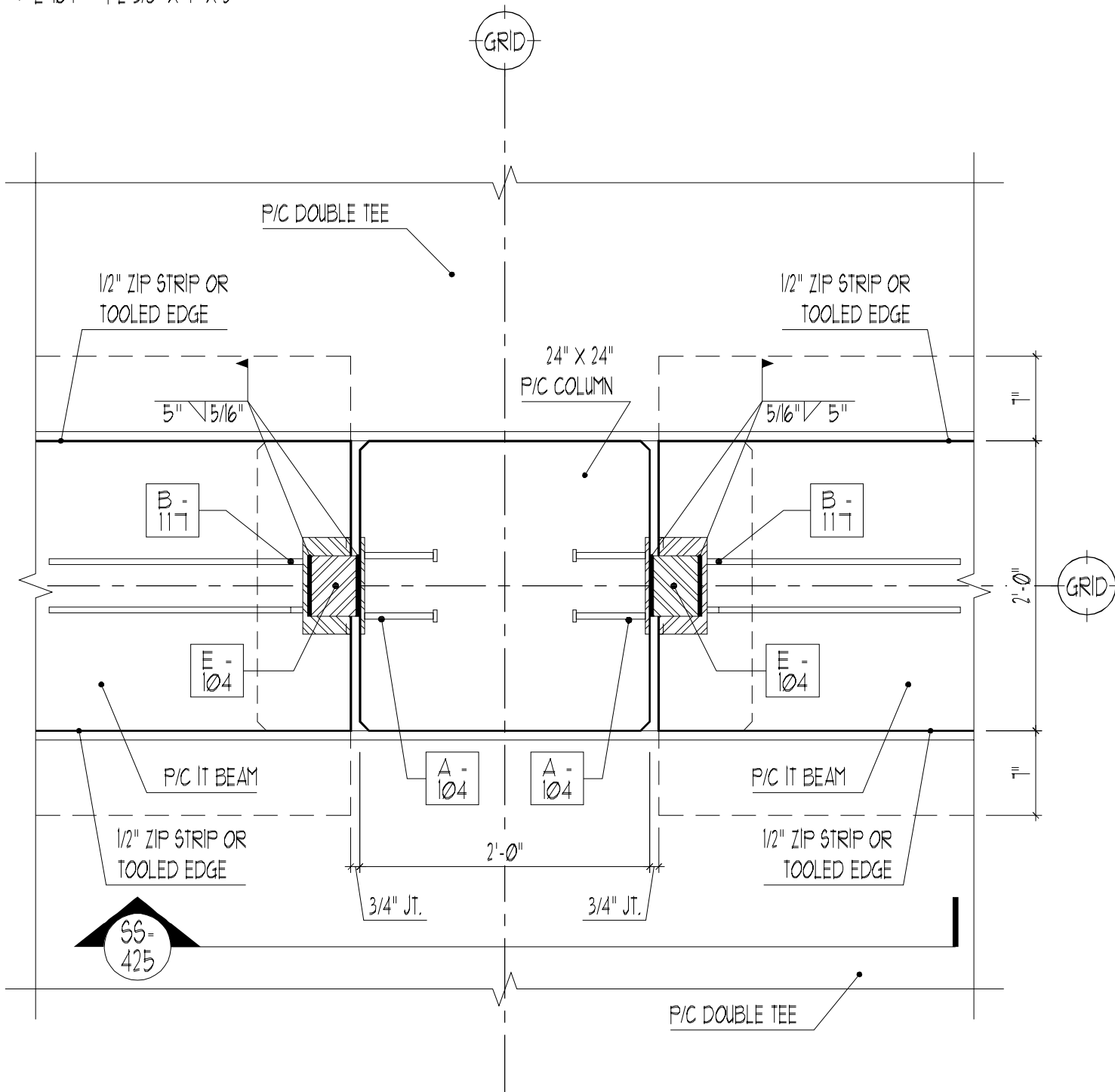
SECTION / DETAIL

SS-401

NO.	REVISIONS	DATE	NAPCO PRECAST, LLC.	DWG.	CHK'D:	ENG:
				DATE:	DATE:	DATE:
			PROJECT:	REL:	STD.	JOB No.
			SUBJECT: INT. COLUMN / IT BEAM	DATE:		

ERECTION PLATES:

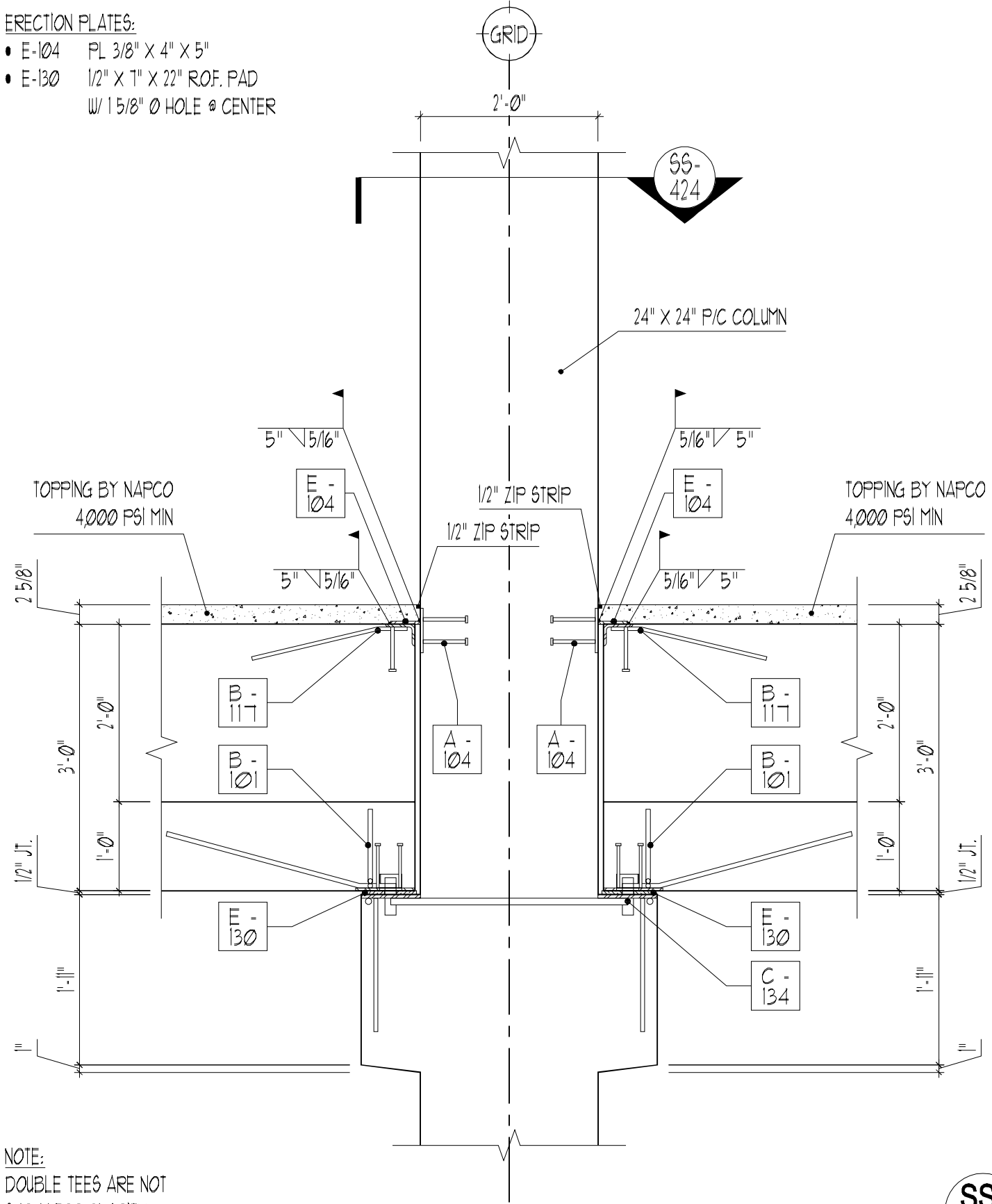
- E-104 PL 3/8" X 4" X 5"



NO.	REVISIONS	DATE	NAPCO PRECAST, LLC.	DWG.	CHK'D:	ENG:
				DATE:	DATE:	DATE:
			PROJECT:	REL:	STD.	JOB No.
			SUBJECT: INT. COLUMN / IT BEAM	DATE:		

ERECTION PLATES:

- E-104 PL 3/8" X 4" X 5"
- E-130 1/2" X 7" X 22" ROF. PAD
W/ 1 5/8" Ø HOLE @ CENTER

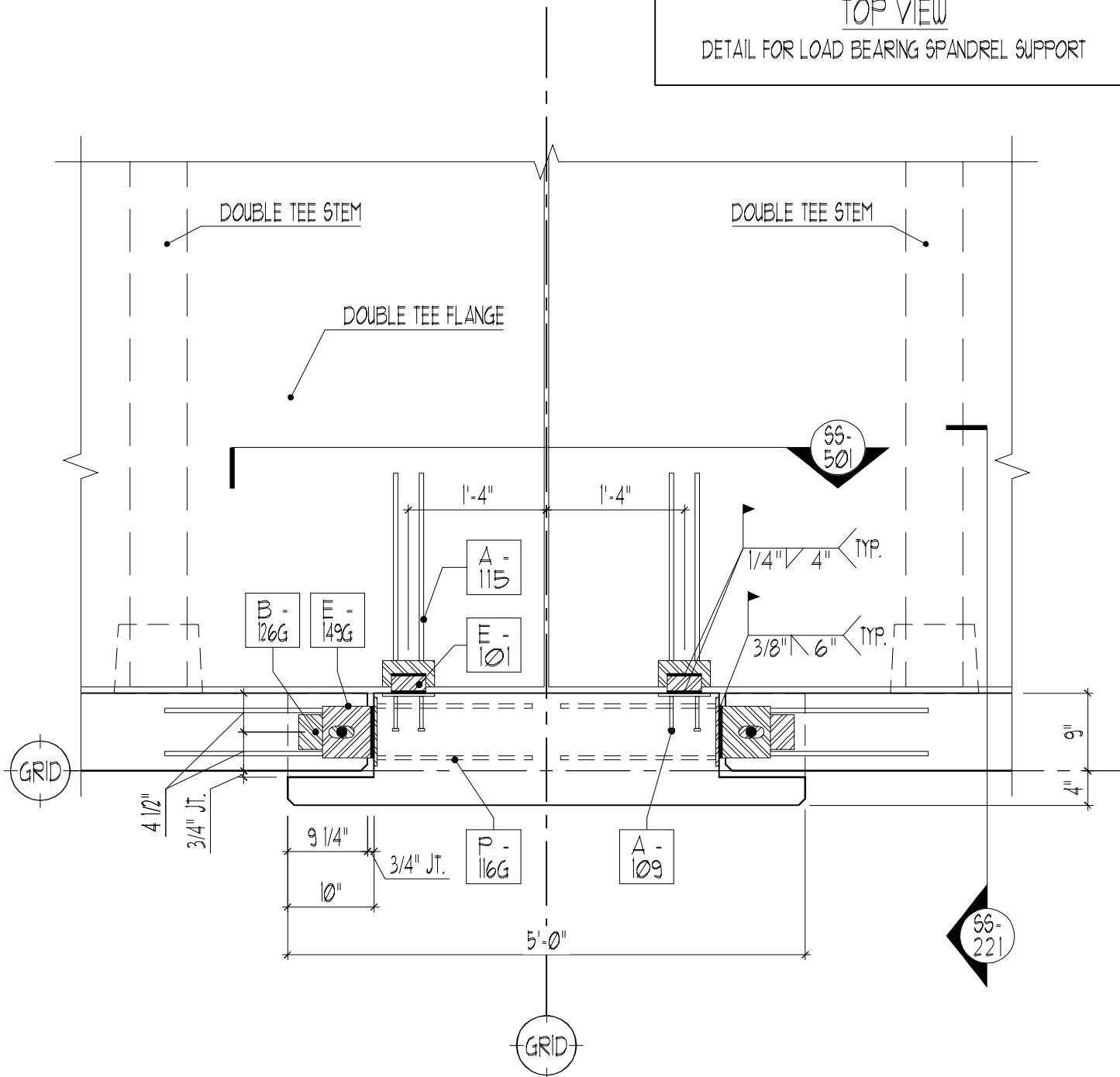
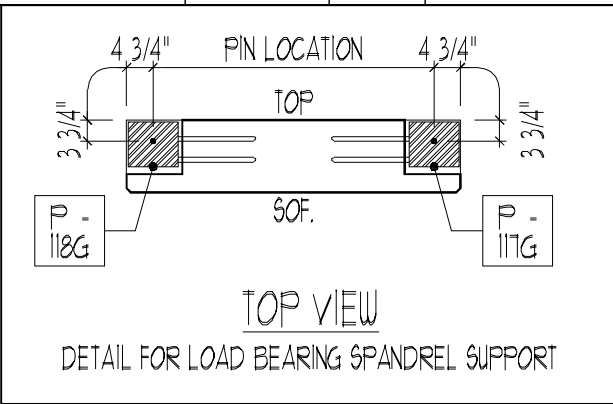


NOTE:
DOUBLE TEES ARE NOT
SHOWN FOR CLARITY.

NO.	REVISIONS	DATE	NAPCO PRECAST, LLC.	DWG.	CHK'D:	ENG:
				DATE:	DATE:	DATE:
			PROJECT:	REL:	STD.	JOB No.
			SUBJECT: P/C PILASTER / SPANDREL CONN.	DATE:		

ERECTION PLATES:

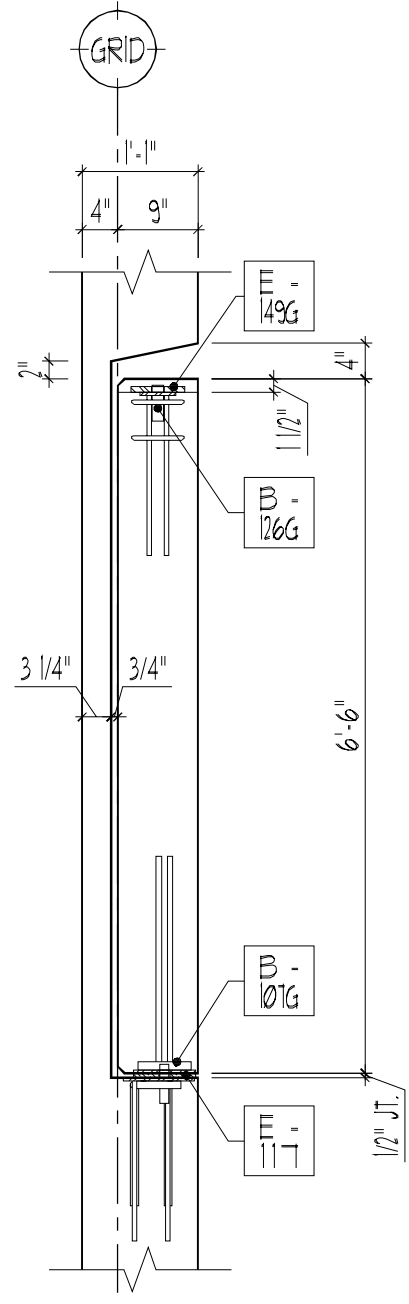
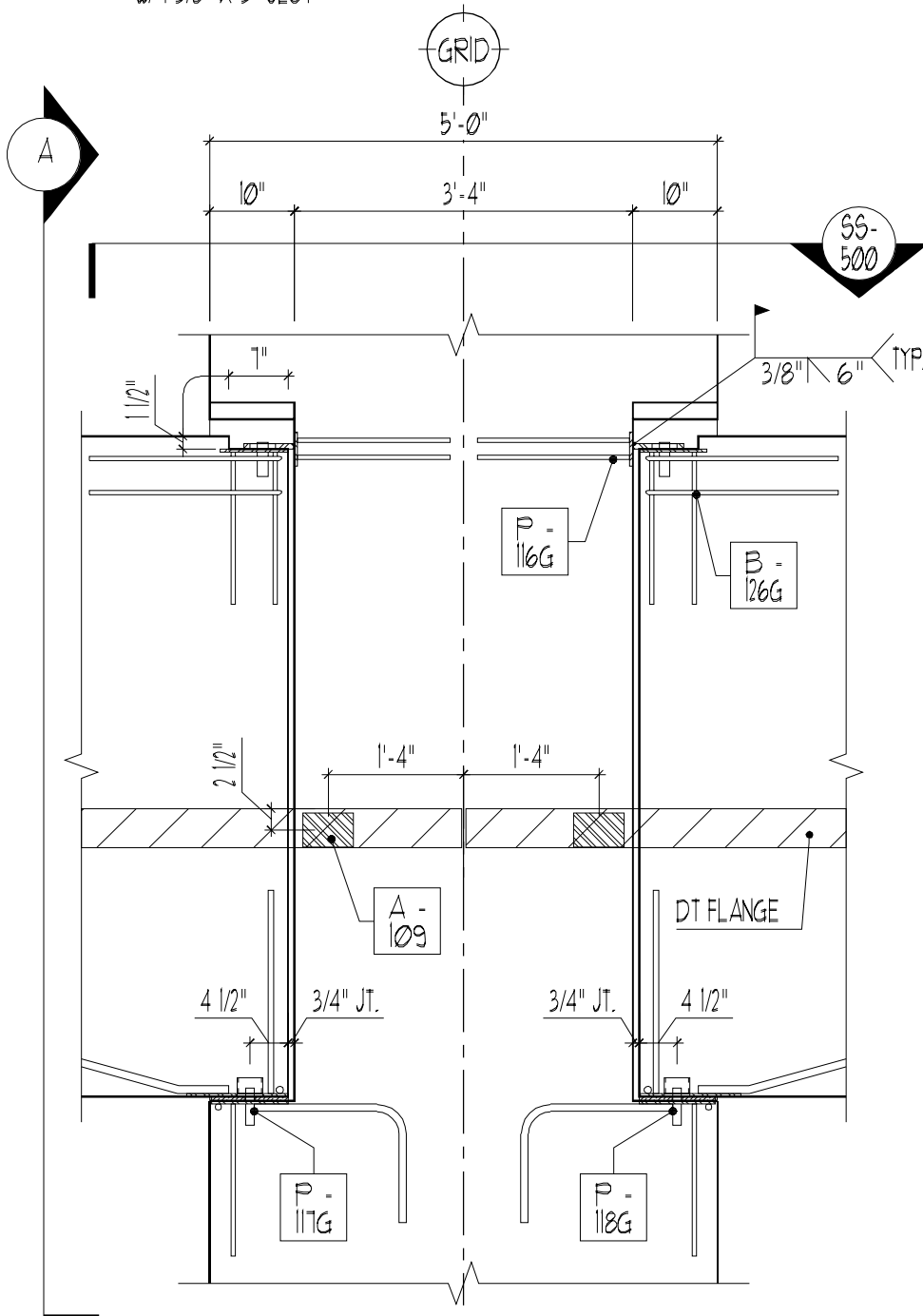
- E-101 PL 3/8" X 2" X 4"
- E-149G PL 5/8" X 6" X 6" GALVANIZED
W/ 1 3/8" X 3" SLOT



NO.	REVISIONS	DATE	NAPCO PRECAST, LLC.	DWG.	CHK'D:	ENG:
				DATE:	DATE:	DATE:
			PROJECT:	REL:	STD.	JOB No.
			SUBJECT: P/C PILASTER / SPANDREL CONN.	DATE:		

ERECTION PLATES:

- E-117 1/2" X 7" X 9" ROF. PAD
W/ 1/4" Ø HOLE @ CENTER
- E-149G PL 5/8" X 6" X 6" GALVANIZED
W/ 1 3/8" X 3" SLOT



SECTION-A